

# KH-8005 MINI LIMIT SWITCH SERIES



MODEL	OF(MAX.)	RF (min.)	PT	MD (MAX.)	OT (min.)	TT (min.)	MATERIAL
KH-8005-S	600g	50g	15°±5°	10°	75°	90°	Body, head: zinc-alloy die-casting Cover, roller: nylon glass
KH-8005-C	800g	50~21g	15°±5°	10°	75°	90°	Lever: Stainless steel
KH-8005-R	800~203g	50~12g	15°±5°	10°	75°	90°	Body, head: zinc-alloy die-casting Cover: nylon glass Rod: Stainless steel
KH-8005-P	900g	150g	2.0mm±1.0	0.7mm	4mm	4.5mm	Body, head: zinc-alloy die-casting Cover: nylon glass Shaft: free-cutting steel
KH-8005-PR KH-8005-CPR	900g	150g	1.5mm±0.5	0.7mm	4mm	5.5mm	Body, head: zinc-alloy die-casting Cover: nylon glass Roller : Stainless steel
KH-8005-SR	90g	-	10mm±5	-	20mm	20°	Body, head: zinc-alloy die-casting Cover: nylon glass Spring lever: Stainless steel

**Koino**<sup>®</sup>

www.koino.com

Copyright © 2009 KunHung Electric Co., Ltd. All rights reserved.

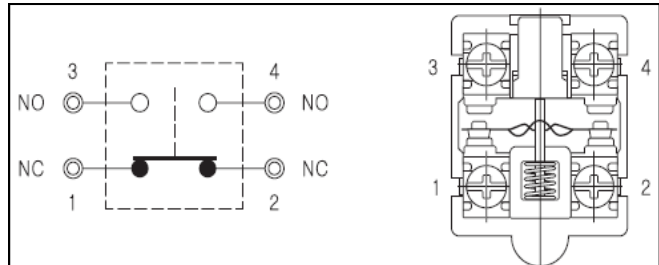
# KH-8005 MINI LIMIT SWITCH SERIES

**CE** Certification

## Ratings

Rated Voltage	Resistive Load	Inductive Load
125VAC	5A	3A
250VAC	5A	2A
125VDC	0.4A	0.1A

## Contacts



## Specification

Allowed operating velocity		1 mm/s ~ 1 m/s
Operating frequency	Mechanical	120 operations/min
	Electrical	30 operations/min
Insulation Resistance		100MΩ or above( at DC500V)
Contact resistance		25mΩ or below
Dielectric strength		AC 1,000V 1min.(Between live parts) AC 2,000V 1min.(Between dead parts)
Vibration resistance		10~55Hz at double amplitude: 1.5mm(X,Y,Z directions) for 1 hour
Shock resistance		Approximately 30G(300m/s <sup>2</sup> )
Durability	Mechanical	1 million operations
	Electrical	100,000 operations
Protection		IP55
Ambient temperature		-10°C ~ +55°C(non-freezing condition)
Ambient humidity		40~85% RH
Weight		Approximately 80~125g

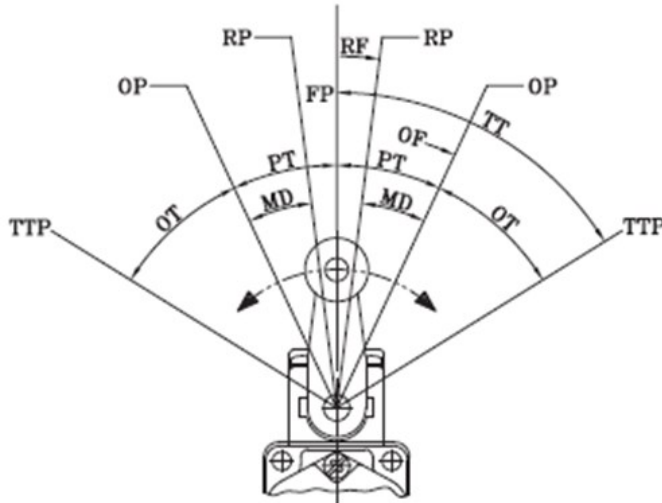
**Koino**<sup>®</sup>

www.koino.com

Copyright © 2009 KunHung Electric Co., Ltd. All rights reserved.

# KH-8005 MINI LIMIT SWITCH SERIES

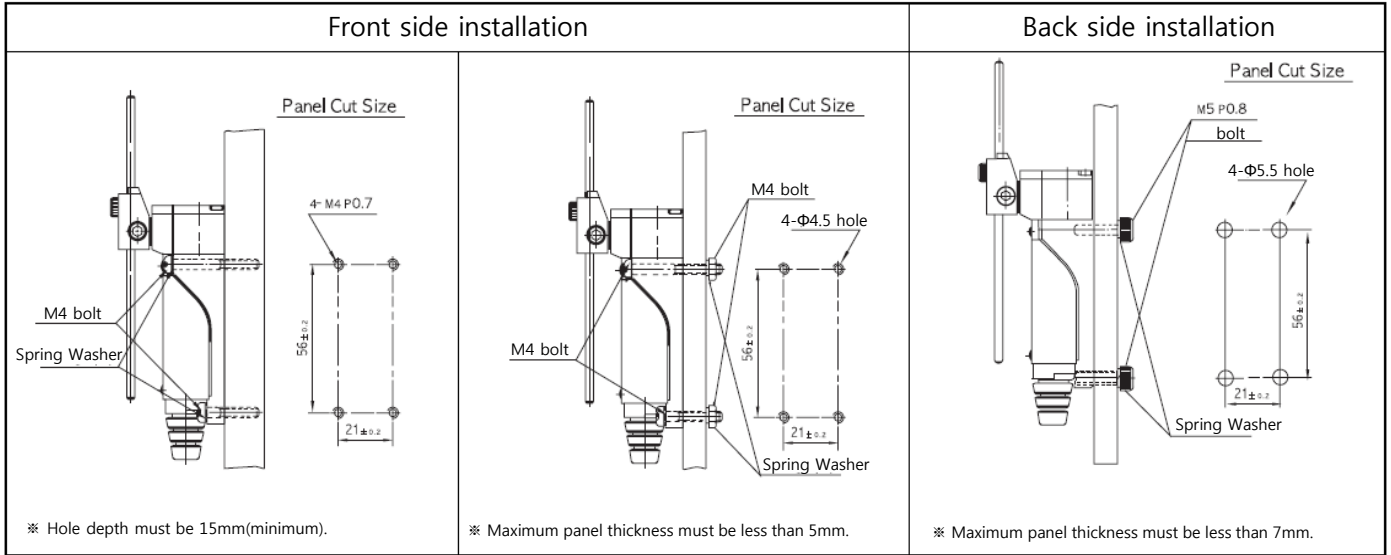
## Codes of lever actuation range



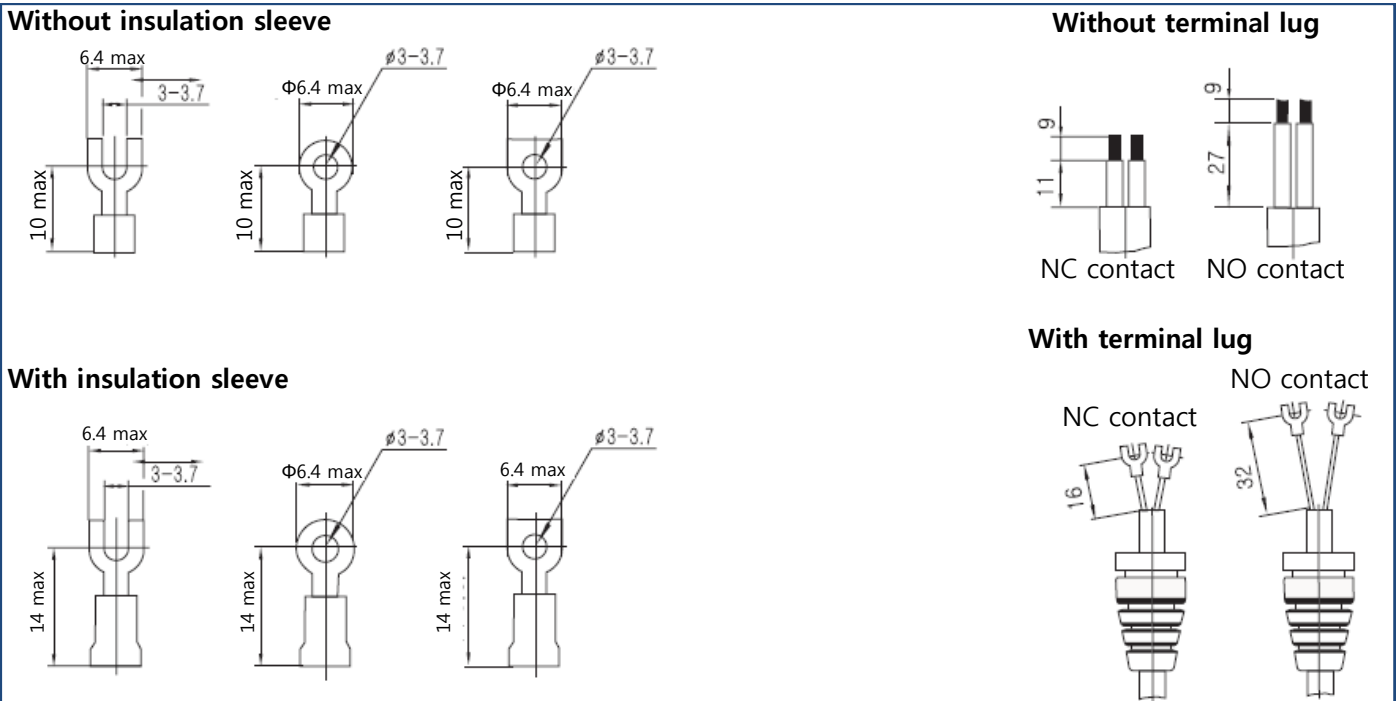
OF	Required force to actuate	Required force to move from free position (FP) to operating position (OP)
RF	Return force	Required force to return from total travel position (TTP) to return position (RP)
PT	Movement to actuation	Distance or angle of movement from free position (FP) to operating position (OP)
MD	Movement differential	Distance or angle of movement from operating position (OP) to return position (RP)
OT	Movement after actuation	Distance or angle of movement from operating position (OP) to total travel position (TTP)
OP	Operating position	Actuator position when a contact point (NO (normal open)) is actuated (On) at free position (FP).
FP	Free position	Actuator position when no external force is applied to actuator
TTP	Total travel position	Actuator position when actuator arrives at stop.
RP	Return position	Actuator when a contact point (NO) is off at operating position (OP).
TT	Entire movement	Distance or angle of movement from free position (FP) to total travel position (TTP).

# KH-8005 MINI LIMIT SWITCH SERIES

## Installation

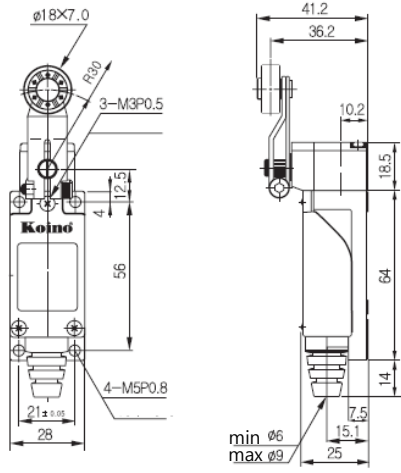


## Terminal lug

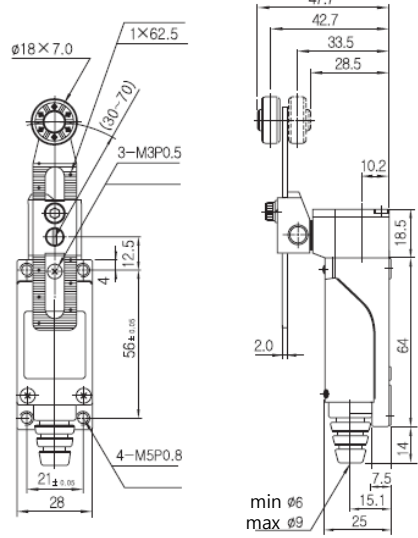


# KH-8005 MINI LIMIT SWITCH SERIES

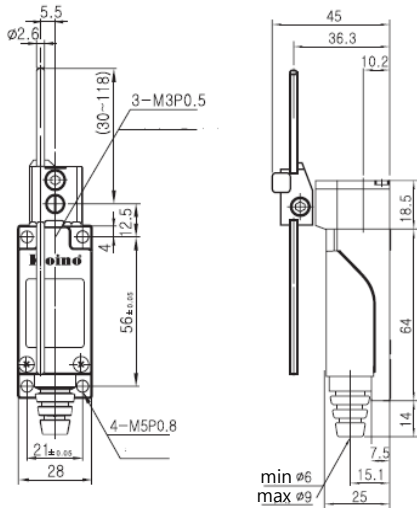
**KH-8005-S**



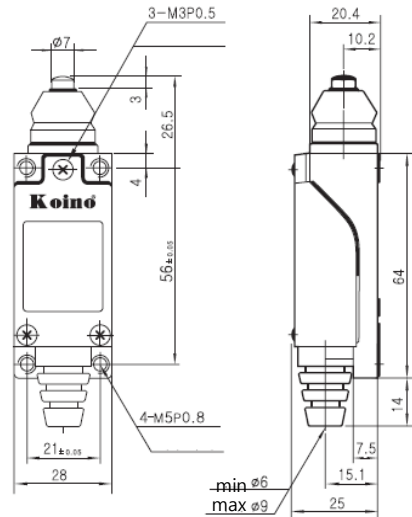
**KH-8005-C**



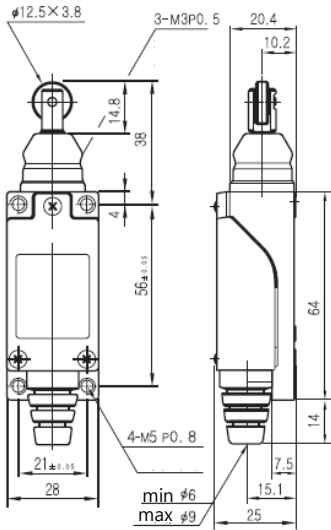
**KH-8005-R**



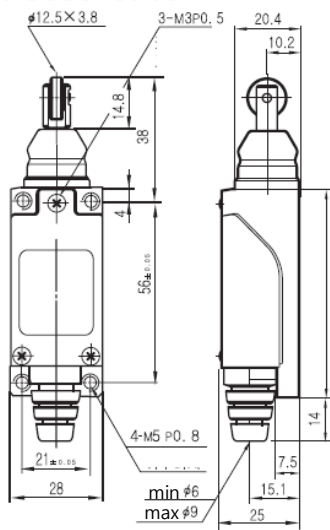
**KH-8005-P**



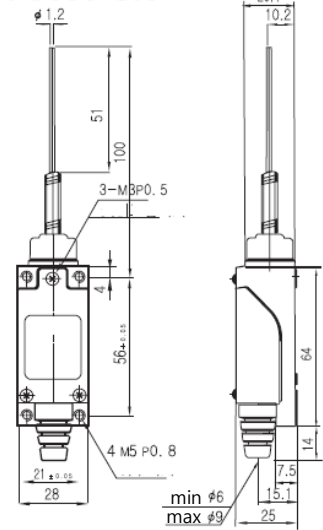
**KH-8005-PR**



**KH-8005-CPR**



**KH-8005-SR**



**Koino®**

www.koino.com

Copyright © 2009 KunHung Electric Co., Ltd. All rights reserved.