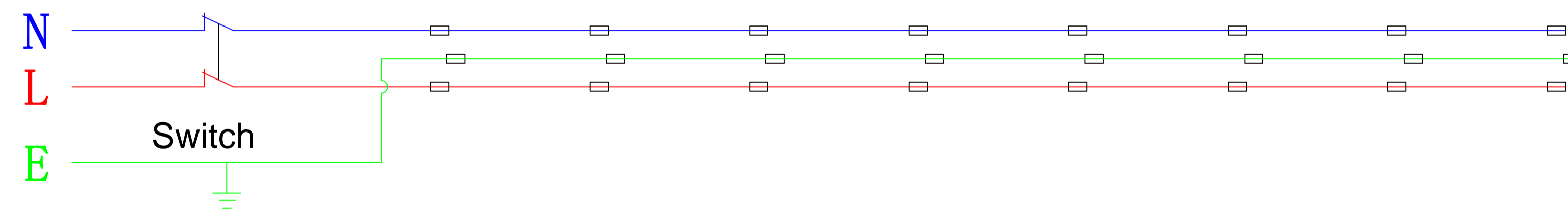
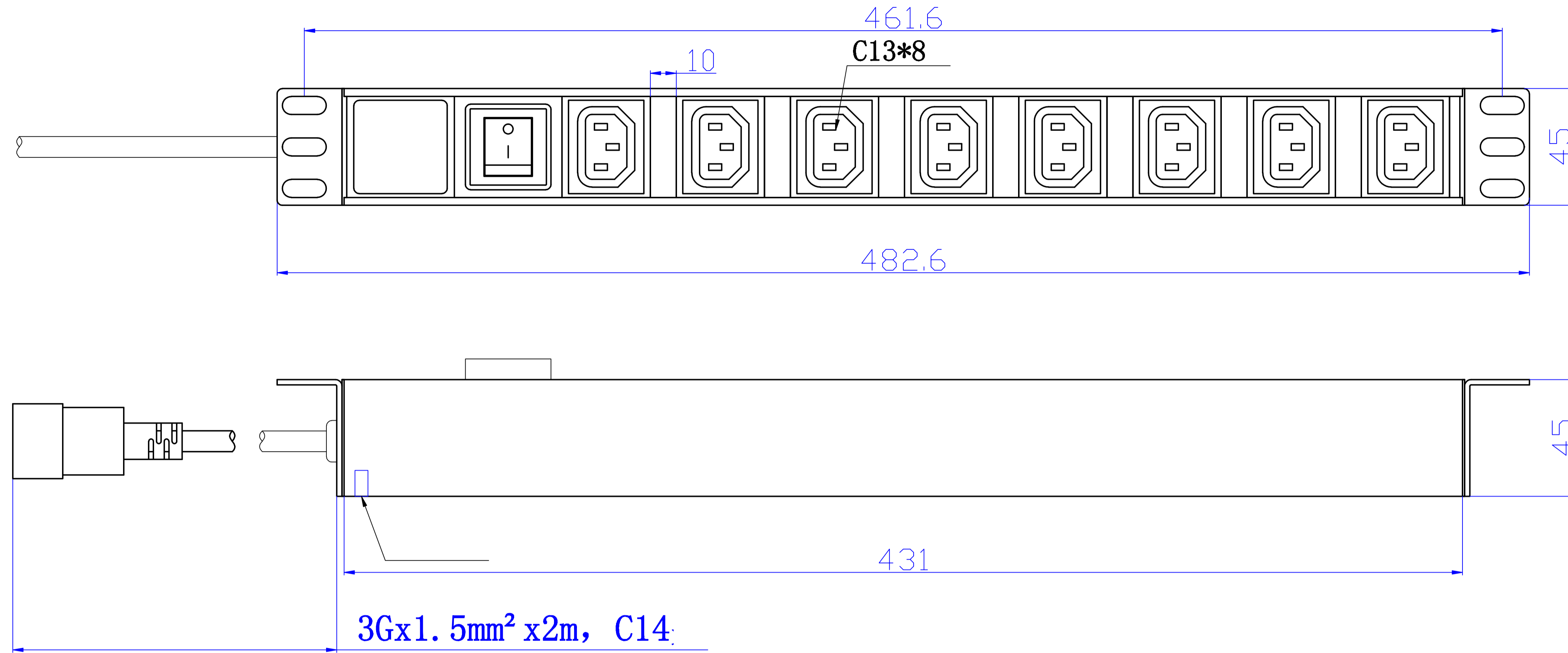


595048



19" PDU ,8 Ports ,IEC type,with switch