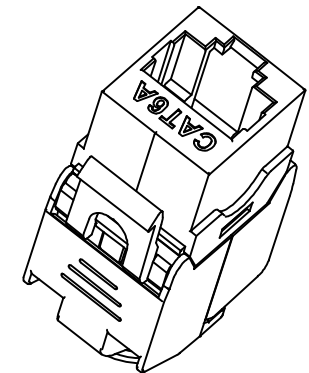


防尘盖顶面粘
贴色标示意图



NOTES:

ELECTRICAL:

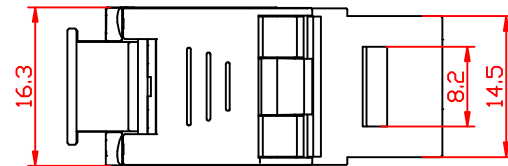
1. VOLTAGE RATING:125 VAC RMS
2. CURRENT RATING:1.5AMP
3. CONTACT RESISTANCE:100MILLIOHMS MAX
4. INSULATION RESISTANCE:1000 MEGOHMS MIN @500 VDC
5. DIELECTRIC STRENGTH:750 VAC RMS 60Hz, 1MIN

ENVIRONMENTAL:

1. STORAGE:-40° TO+85°
2. OPERATION:0° TO70°

MECHANICAL:

1. THE SHELL MATERIAL: ZINC ALLOY
2. HOUSING MATERIAL:ABS
3. INSERT MATERIAL:FAME RETARDANCY PBT
4. PCB MATERIAL:FR-4 T=1.6mm
5. CONTACT MATERIAL:PHOSPHOR BRONZE STAMP
PIN T=0.30mm
6. IDC CONTACT MATERIAL:PHOSPHOR BRONZE
T=0.50mm WITH TIN PLATING
7. RJ45 JACK ;LIFE:750 TIMES MIN
8. IDC LIFE:200 FTIMES MIN
9. WIRE:AWG 23-26



									Item No.	595100	
									Part Name	CAT6A Tool free Keystone Jack Shielded Type	
SYM		Number	Bill No. of Alteration	Signature	Date	Material		Size	Scale	Unit	ERP Part No.
Drawn					Angles Projection		A4	X:1	mm		
Checked					Tolerance		Sheet		1 OF 1	Version: A/0	
Approved					0.00-20.00 ±0.10 20.00-50.00 ±0.15 50.00-100.00 ±0.20 100.00- Angle ±30°						