

- Slim and compact size
- 1 pole 12A; 2 pole 8A
- With non-polarity LED integrated in relay
- With lockable test button and inspection window
- Identification of coils through test button color (AC red/DC blue)
- Conformity with RoHS Directive

Test button
On-site test is available with test button.

AMD module

LED
Visible LED indicates the working status of the relay at any time, AC red, DC green

Silver alloy contacts
It can carry more current, with stronger conductivity and more sensitive response, and greatly extend electrical life, and works more stable.

Top copper coil material
Standard turns and electromagnetic coils make the pick-up more reliable and enduring, which can reach more than 20 million cycles.

Bus jumper
Bus jumper extends the circuit.

Silver alloy pins
High-quality silver alloy pins, strong contact, instantaneous conductivity and stable performance.





Relay

Socket

Relay module

RFT

Other options

- blank: standard type
- L: with LED
- D: with diode (1-,5+ ; 1-,8+)
- D1: with diode(1+,5-; 1+,8-)
- LD: with LED and diode (1-,5+; 1-,8+)
- LD1: with LED and diode (1+,5-; 1+,8-)
- LT: LED + Test button
- LTD: LED + test button+diode (1-, 5+; 1-, 8+)
- LTD1: LED + test button+diode (1+, 5-; 1+, 8-)
- B: cover with flange (selection plus B,namely LB,DB,LDB, etc.)
- A:gold plated contact

Coil voltage code

Code	006	012	024	048	110	
Voltage (V DC)	6	12	24	48	110	
Code	506	524	536	548	615	730
Voltage (V AC)	6	24	36	48	115	230

Terminal arrangement

O: plug in

Contact form

- 1C: 1CO
- 2C: 2CO

Series name

Characteristics

Configuration		1C	2C
Load	Resistance	12A/250VAC, 30VDC	8A/250VAC, 30VDC
	Motor load	1/3HP, 240VAC	1/6HP, 240VAC
	Max. switching capacity (resistive)	3000VA, 360W	2000VA, 240W
Contact	Min. switching capacity	170mW(17V/10mA)	
	Initial contact resistance	≤50mΩ	
	Material	Ag alloy	
	Electrical durability (high temp., frequency 1s on, 1s off)	≥20 x 10 ⁴ Cycles (1800 Ops/h)	
	Electrical durability (normal temp., frequency 1s on, 5s off)	≥30 x 10 ⁴ Cycles(600 Ops/h)	
	Mechanical durability	≥2000 x 10 ⁴ Cycles (18000 Ops/h)	
Pick-up voltage (23°C) (Rated voltage)		DC:≤75% ,AC:≤80% 50/60Hz	
Drop-out voltage (23°C) (Rated voltage)		DC:≥10% ,AC:≥30% 50/60Hz	
Maximum voltage (23°C)(Rated voltage)		110%	
Insulation resistance		≥1000MΩ (500VDC)	
Coil operating power	DC(W)	approx. 0.53	
	AC(VA)	approx. 1.0(60Hz)	
Operate time (at nominal voltage)		≤20ms	
Release time (at nominal voltage)		≤10ms	
Initial breakdown voltage	Between open contacts	1000VAC/1min (leakage current 1mA)	
	Between poles	3000VAC/1min (leakage current 1mA)	
	Between contacts and coil	5000VAC/1min (leakage current 1mA)	
Insulation characteristics	Rated voltage	250VAC	
	Pollution level	3	
	IEC 60664 UL840 Overvoltage level	III	
Impulse withstand voltage (waveform: 1.2/50μs)		4000V(Altitude 2000m)	

Protection level	IP20
Storage temperature/ humidity	-55~+85°C/5%~68%RH
Working temperature/ humidity	-40~+55°C/5%~85%RH((No condensation))
Air pressure	86~106KPa
Shock resistance	10G (half-sine shock pulse: 11ms)
Vibration resistance	10~55Hz double-amplitude:1.0mm
Mounting	plug in
Unit weight	approx. 18g

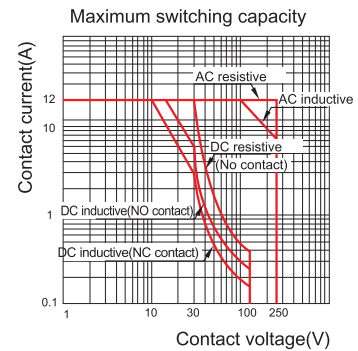
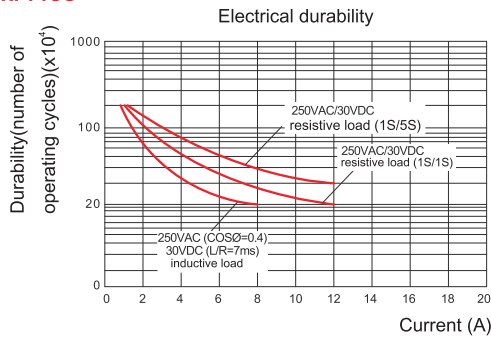
Coil Specifications (23°C)

Nominal voltage V.DC	6	12	24	48	110	
Coil resistance Ω	68	270	1100	4400	22800	
Nominal voltage V.AC	6	12	24	48	115	230
Coil resistance Ω	16	63	260	1100	6300	23500

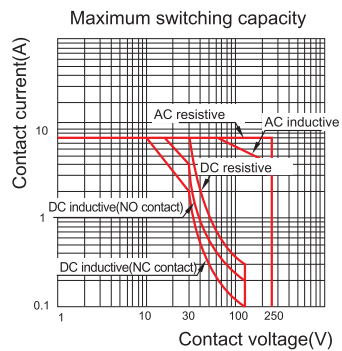
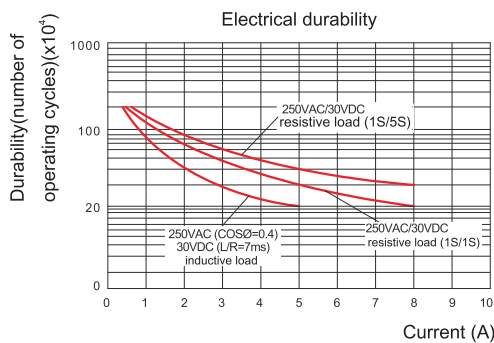
Coil resistance: under coil voltage 110V are measured with tolerance of ±10%Ω, above 110V with tolerance of ±15%Ω.

Contact Specification

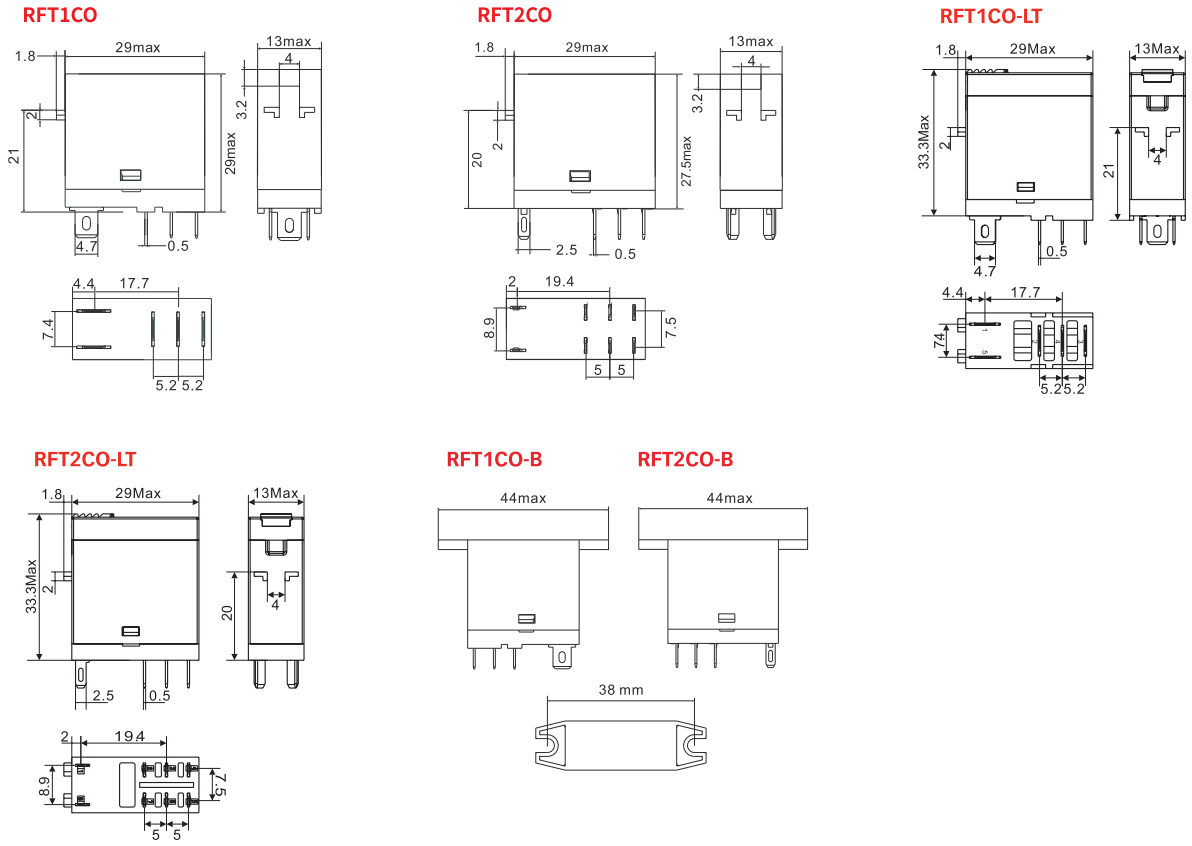
RFT1CO



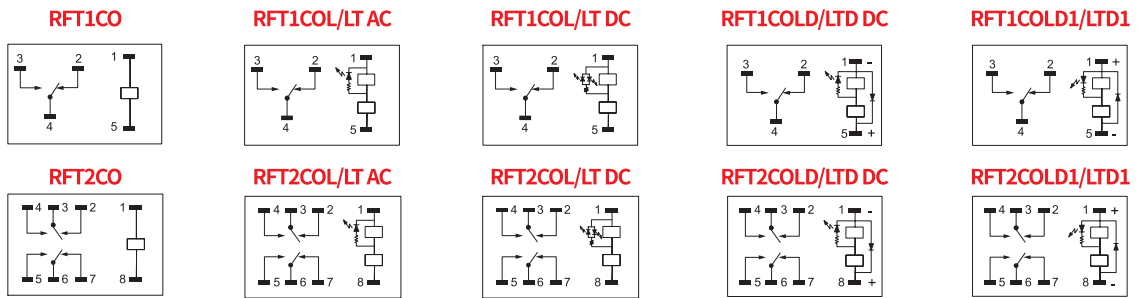
RFT2CO



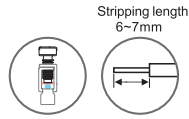
Dimensions (mm)



Wiring Diagrams



Characteristics



SRU05-E



SRU08-E



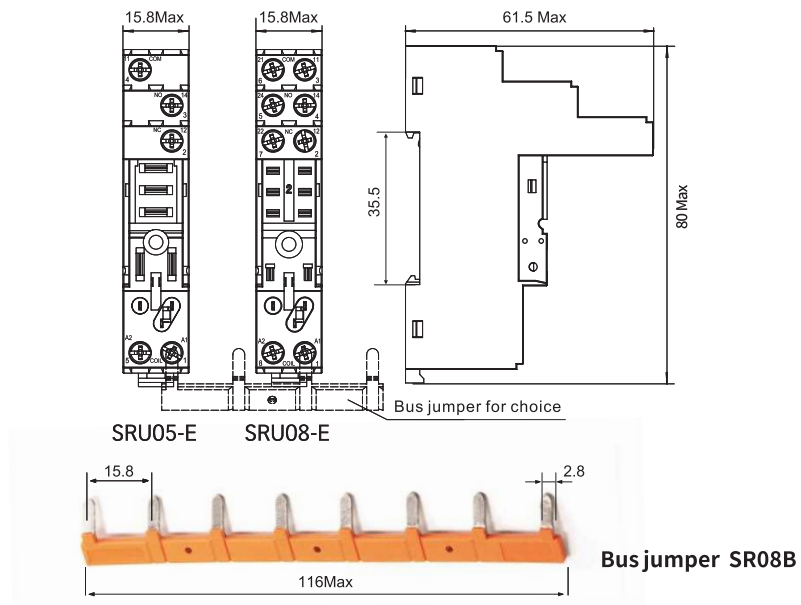
Type			SRU05-E	SRU08-E
Nominal load	Current	A	16	10
	Voltage	V	300	
Dielectric strength	Between coil and contact	V/min	4000	
	Between contacts	V/min	2500	
Max. tightening torque	Nm		1.0	
Wire size	AWG/mm ²		20-14/0.5-2.5	
Ambient temperature	°C		-40~+85	
Unit weight		g	35	43

Accessories

Socket	Plastic clip	Metal clip★	ID tag	Module	Bus jumper
SRU05-E	SR20T	SR27M			
SRU08-E	SR20U	SR32M	SR20P	AMD	SR08B

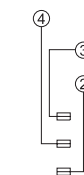
★ SR27M is for relay with no test button; SR32M is for relay with test button.

Dimensions (mm)

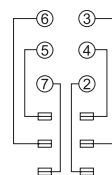


Connection Diagrams

- ① ⑤ : A1 A2
- ② : NC
- ③ : NO
- ④ : COM

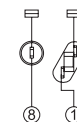
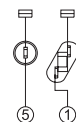


SRU05-E



SRU08-E

- ① ⑧ : A1 A2
- ② ⑦ : NC
- ④ ⑤ : NO
- ③ ⑥ : COM



Characteristics



SRU05-ST



SRU08-ST

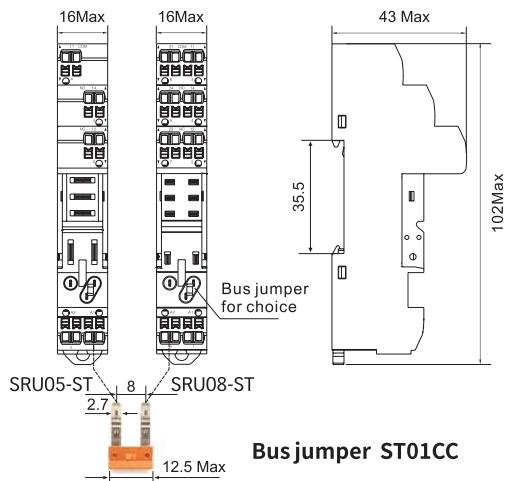


Type			SRU05-ST	SRU08-ST
Nominal load	Current	A	16	10
	Voltage	V	300	
Dielectric strength	Between coil and contact	V/min	4000	
	Between contacts	V/min	2500	
Max. tightening torque	Nm	-		
Wire size	AWG/mm ²	20-14/0.5-2.5		
Ambient temperature	°C	-40~+85		
Unit weight	g	35	43	

Accessories					
Socket	Plastic clip	Metal clip★	ID tag	Module	Bus jumper
SRU05-ST	SR20T	SR27M			
SRU08-ST	SR20U	SR32M	SR2P	AMD	ST01CC

★ SR27M is for relay with no test button; SR32M is for relay with test button.

Dimensions (mm)



Connection Diagrams

