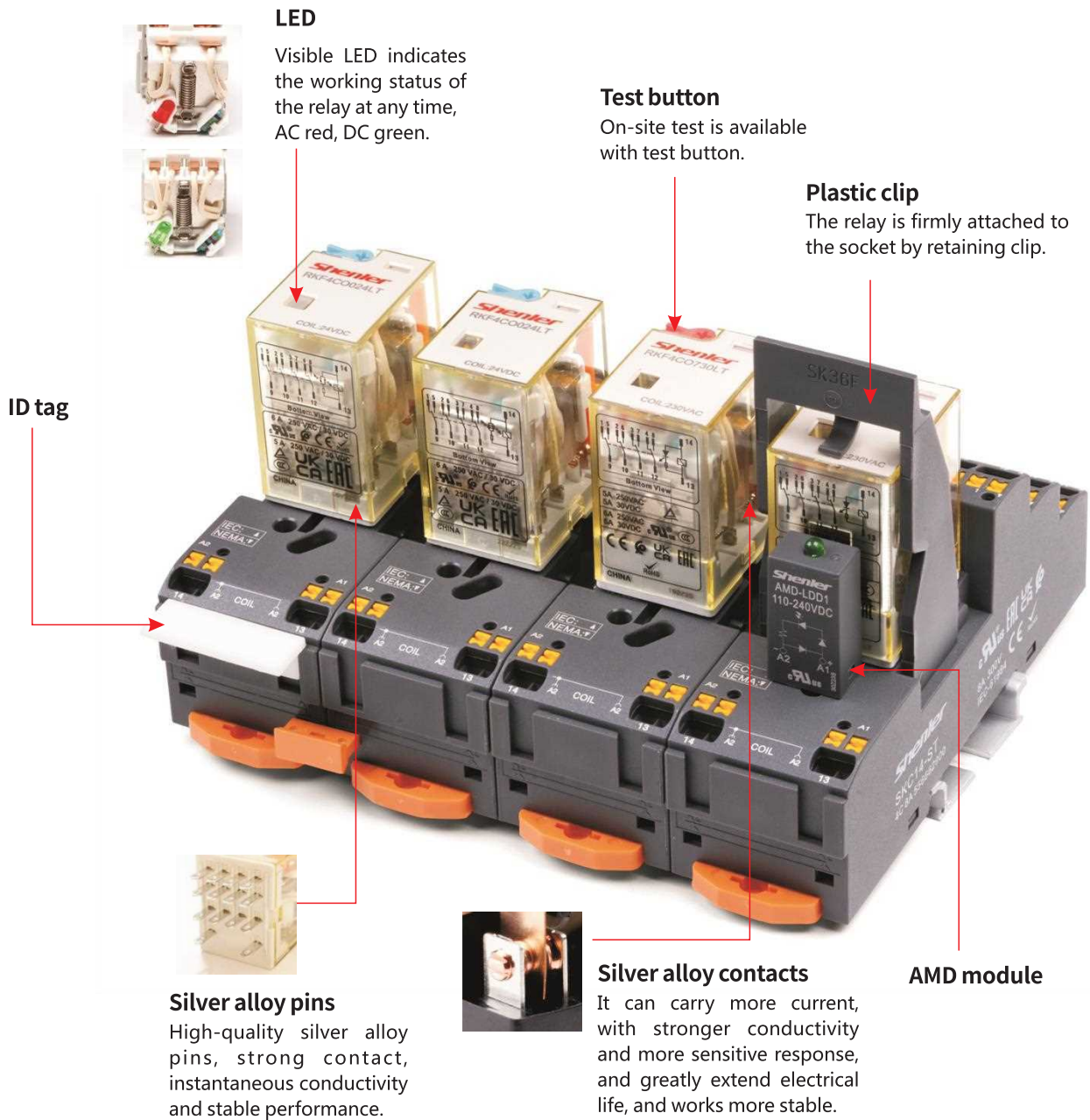


Selection manual of industrial control relay

RKF

Miniature General Purpose Relay

- 2 poles 12A; 4 poles 6A
- With non-polarity LED integrated in relay
- With lockable test button and inspection window
- Identification of coils through test button color (AC red/DC blue)
- Conformity with RoHS Directive
- Gold plated contacts optional



Selection manual of industrial control relay

RKF Miniature General Purpose Relay



Relay

+



Socket

=



Relay module

RKF □ □ □ □

Other options

- LT: LED + test button
- LTD: LED + test button + diode (13-,14+)
- LTD1: LED + test button + diode (13+,14-)
- LTA: LED + test button + gold plated contact
- LTDA: LED + test button + diode+gold plated contact
- LT M: LED+test button, with 0.65Un coil tuned

Coil voltage code

Code	006	012	024	048	110	220	
Voltage (V DC)	6	12	24	48	110	220	
Code	506	524	536	548	615	730	880
Voltage (V AC)	6	24	36	48	115	230	380

Terminal arrangement

O: plug in

Contact form

2C: 2CO

4C: 4CO

Series name

Characteristics

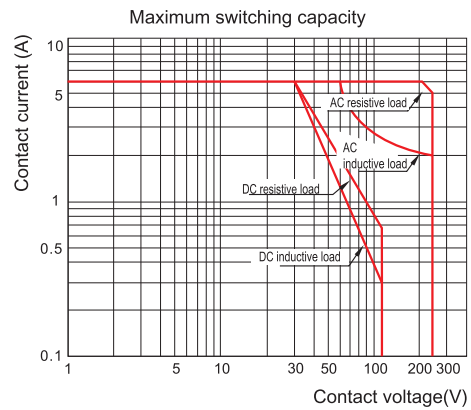
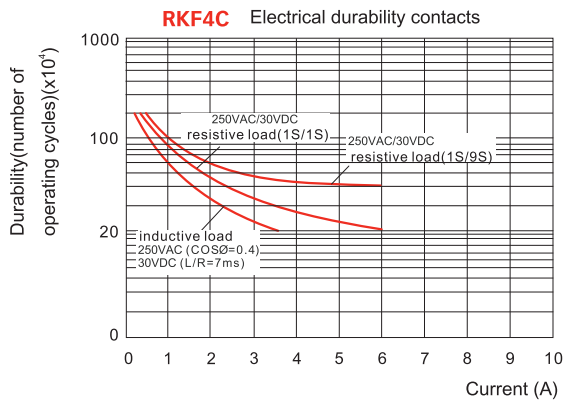
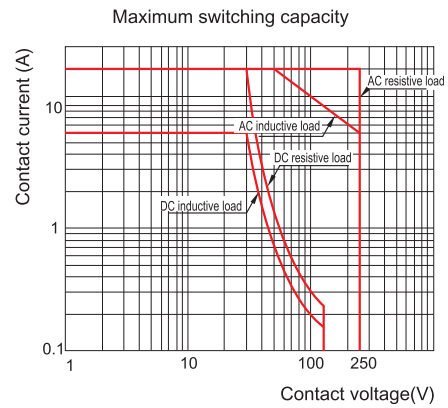
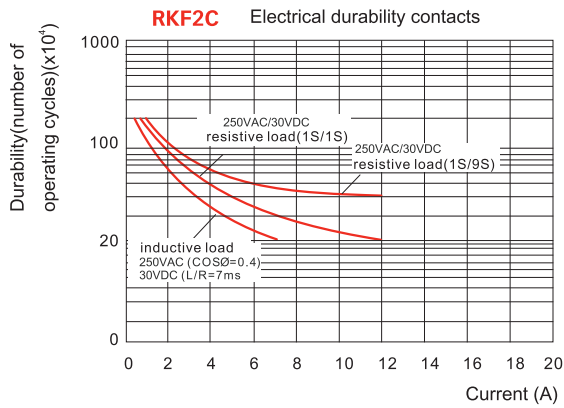
Configuration		2C	4C
Load	Resistance	12A/250VAC, 30VDC	6A/250VAC, 30VDC
	Motor load	1/3HP, 240VAC	1/6HP, 240VAC
Max. switching capacity (resistive)		3000VA, 360W	1500VA, 180W
Contact	Min. switching capacity	170mW(17V/10mA); LTA: 500mW(5V/10mA)	
	Initial contact resistance	≤50mΩ	
	Material	Ag alloy	
	Electrical durability (110%rated voltage, 55°C)	≥20 x 10 ⁴ Cycles (1800 Ops/h)	
	Electrical durability (Normal temperature)	≥40 x 10 ⁴ Cycles (360 Ops/h)	
	Mechanical durability	≥2000 x 10 ⁴ Cycles (18000 Ops/h)	
	Pick-up voltage (23°C) (Rated voltage)	DC:≤75%, AC:≤80% 50/60Hz	
Drop-out voltage (23°C) (Rated voltage)		DC:≥10%, AC:≥30% 50/60Hz	
Maximum voltage (23°C) (Rated voltage)		110%	
Insulation resistance		≥1000MΩ (500VDC)	
Coil operating power	DC(W)	approx. 0.9	
	AC(VA)	approx. 1.2(60Hz)	
Operate time&Release time (at nominal voltage)		≤20ms	
Initial breakdown voltage	Between open contacts	1000VAC/1min (leakage current 1mA)	
	Between poles	2000VAC/1min (leakage current 1mA)	
	Between contacts and coil	2000VAC/1min (leakage current 1mA)	
Insulation characteristics	Rated voltage	250VAC	
	Pollution level	3	2
	Overvoltage level	III	II
IEC 60664 UL840			
Impulse withstand voltage (waveform: 1.2/50μs)		4000V(Altitude 2000m)	
Protection level		IP20	
Storage temperature/ humidity		-55~+85°C/ ≤85%RH (18 months)	
Working temperature/ humidity		-55~+70°C/ 5%~85%RH (No condensation)	
Air pressure		86~106KPa	
Shock resistance		10G (half-sine shock pulse: 11ms)	
Vibration resistance		10~55Hz double-amplitude:1.0mm	
Mounting		plug in	
Unit weight		approx. 35g	

Coil Specifications (23°C)

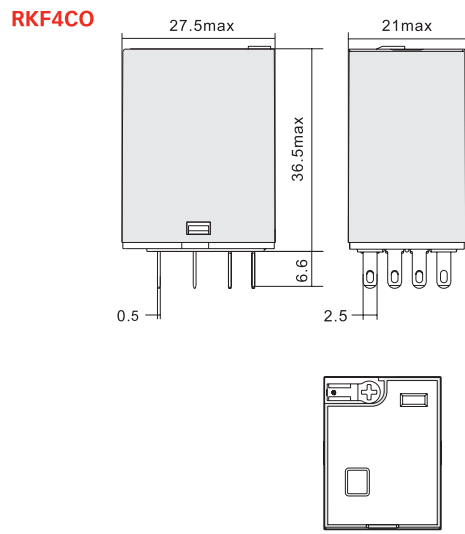
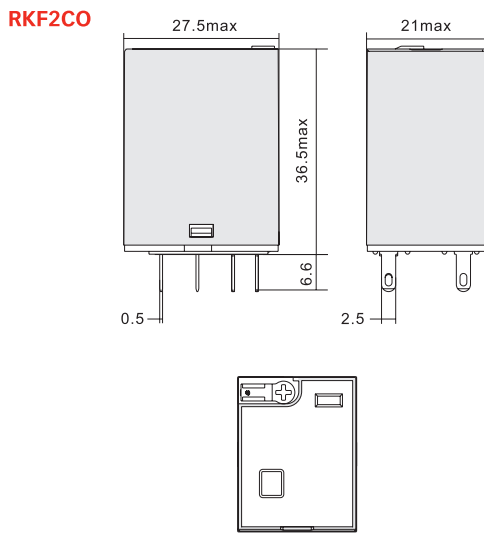
Nominal voltage V.DC	6	12	24	48	110	220	
Coil resistance Ω	40	180	640	2600	13000	42000	
Nominal voltage V.AC	6	24	36	48	115	230	380
Coil resistance Ω	11.5	180	370	640	4430	16500	42000

Coil resistance: under coil voltage 110V are measured with tolerance of $\pm 10\% \Omega$, above 110V with tolerance of $\pm 15\% \Omega$.

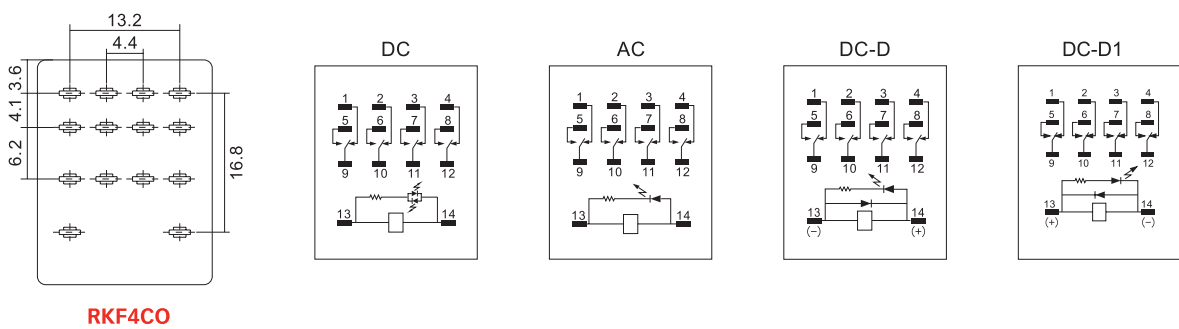
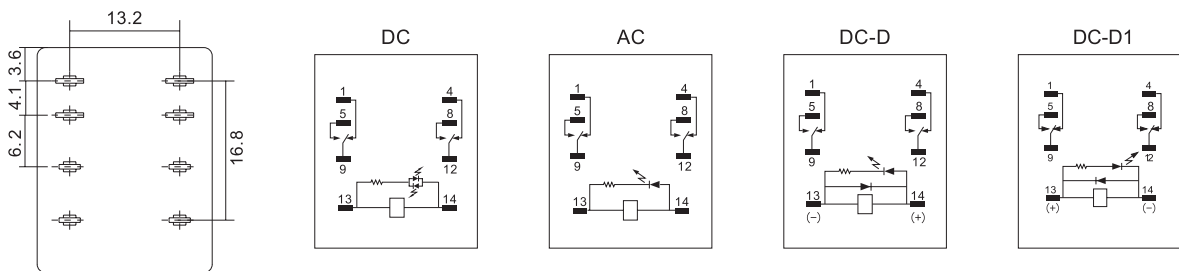
Contact Specification



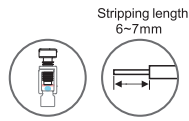
Dimensions (mm)



Wiring Diagrams



Characteristics



SKB08-E



SKB14-E

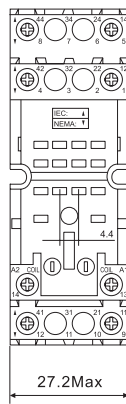


Type		SKB08-E	SKB14-E
Nominal load	Current	A	12
	Voltage	V	300
Dielectric strength	Between coil and contact	V/min	4000
	Between contacts	V/min	2500
Max. tightening torque	Nm	1.0	
Wire size	AWG/mm ²	20-14/0.5-2.5	
Ambient temperature	°C	-40~+85	
Unit weight	g	50	56

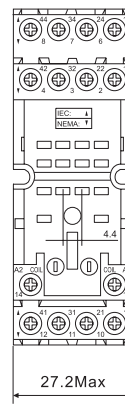
Accessories

Socket	Plastic clip	Metal clip	ID tag	Module
SKB08-E				
SKB14-E	SK36F	SK36M	SK4P	AMD

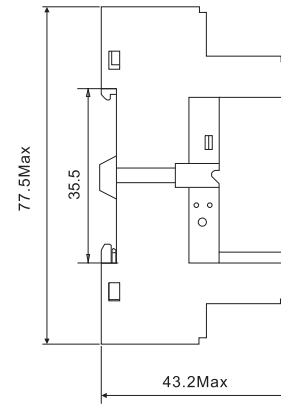
Dimensions (mm)



SKB08-E



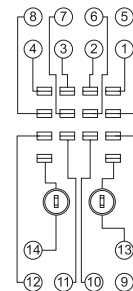
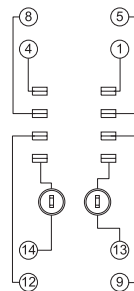
SKB14-E



Connection Diagrams

SKB08-E

- ⑬ ⑭ : A1 A2
- ① ④ : NC
- ⑤ ⑧ : NO
- ⑨ ⑫ : COM



SKB14-E

- ⑬ ⑭ : A1 A2
- ① ② ③ ④ : NC
- ⑤ ⑥ ⑦ ⑧ : NO
- ⑨ ⑩ ⑪ ⑫ : COM

Characteristics



SKC08-ST



SKC14-ST

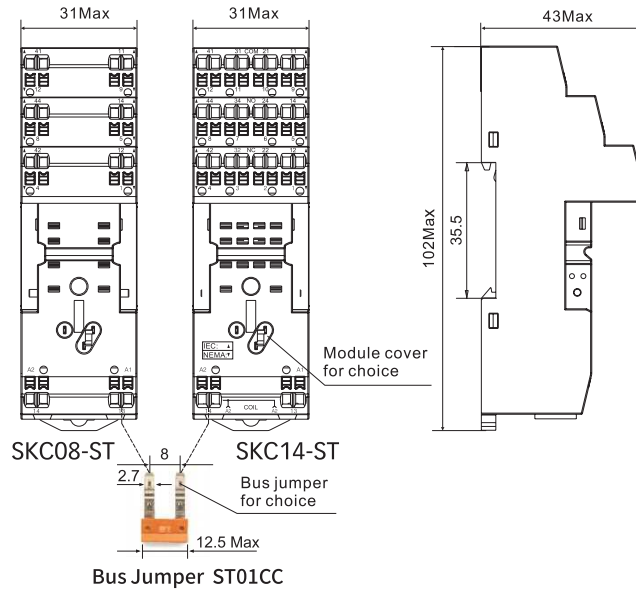


Type		SKC08-ST	SKC14-ST
Nominal load	Current	A	12
	Voltage	V	300
Dielectric strength	Between coil and contact	V/min	4000
	Between contacts	V/min	2500
Max. tightening torque	Nm	-	
Wire size	AWG/mm ²	20-16/0.5-1.5	
Ambient temperature	°C	-40~+85	
Unit weight	g	80	80

Accessories

Socket	Plastic clip	Metal clip	ID tag	Module	Bus Jumper
SKC08-ST					
SKC14-ST	SK36F	SK36M	SK4P	AMD	ST01CC

Dimensions (mm)



Connection Diagrams

