

4F Condulet® Conduit Outlet Boxes

With Covers for Threaded Rigid and IMC

Cl. I, Div. 1 & 2, Groups C,D
 Cl. II, Div. 1, Groups E,F,G
 Cl. II, Div. 2, Groups F,G
 Cl. III
 NEMA 3,4,7CD,9EFG

Explosionproof
 Dust-Ignitionproof
 Raintight
 Wet Locations

Application:

GUA series conduit outlet boxes are installed within hazardous area conduit systems to:

- protect conductors in threaded rigid conduit
- act as pull and splice boxes
- connect lengths of conduit
- change conduit direction
- provide access to conductors for maintenance and future system changes
- act as mounting outlets for fixtures (with appropriate covers)
- act as sealing fittings (with appropriate covers)

Features:

GUA conduit boxes have:

- Neoprene "O" ring standard to meet NEMA 4 requirements
- Cast ears on cover to permit easy removal and tightening
- Internal green ground screw
- Four standard mounting pads except for boxes with bottom hubs
- threaded cover openings
- ten different hub arrangements
- taper threaded hubs to provide grounding continuity
- smooth integral hub bushing protects conductor insulation when pulling
- surface covers furnished with boxes
- sealing covers, dome covers, and fixture hanger covers are available.
- cover threads are 12 pitch.

Standard Materials:

- Bodies – *Feraloy* iron alloy
- Covers – Copper-free aluminum

Standard Finishes:

- *Feraloy* iron alloy – electrogalvanized and aluminum acrylic paint
- Aluminum – natural

Size Ranges:

- Hub – 1/2" to 2"
- Cover opening – 2" to 5" dia.

Options:

Description

Bodies – copper-free aluminum SA †*
 Covers – *Feraloy* iron alloy – electrogalvanized and aluminum acrylic paint WOD
 • GUA Form 6 (with 3" cover opening) are available with optional cover with viewing window -VW
Corro-free epoxy powder coat S752
 To order box less cover add "0" to end of catalog number ie.GUAT260.

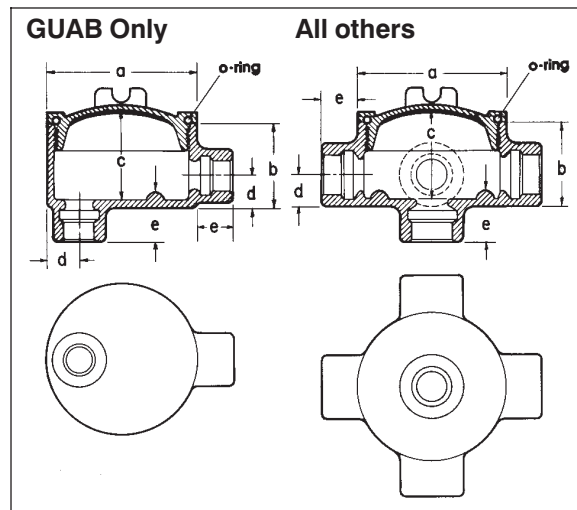
Suffix to be Added to Cat. #

Certifications and Compliances:

- NEC/CEC:
 Class I, Division 1 & 2, Groups C,D
 Class II, Division 1, Groups E,F,G
 Class II, Division 2, Groups F,G
 Class III
- UL Standard: 886
- ANSI Standard: C33.27
- CSA Standard: C22.2 No. 30
- NEMA/EEMAC 3,4

NOTE: When assembled with sealing type cover, GUA series outlet boxes provide adequate sealing for 40% fill in hazardous areas – Class I, Groups C,D; Class II, Groups E,F,G; and Class III. Seals can be made in either horizontal or vertical positions. Use *Chico*® "A" sealing compound or *Chico*® SpeedSeal only. Conductor splices or connections must not be made in enclosures where sealing compound is to be used per NEC.

Dimensions



Length of Hub Hub Size	Dimension "e" Length
1/2-3/4	7/8
1-1 1/4	1
1 1/2-2	1 1/16

GUA, GUAD, GUAM, GUAW, GUAX

Cat. #	a	b	c	d
14	2 1/2	1 13/16	1 3/4	5/8
24	2 1/2	2	2	3/4
16	3 1/2	2	1 7/8	5/8
26	3 1/2	2	1 7/8	3/4
36	3 1/2	2 5/16	2 3/16	7/8
37	4 1/4	2 5/16	2 3/8	7/8
47	4 1/4	2 11/16	2 3/4	1 3/32
49	5 3/4	3 13/16	3 3/4	1 3/32
59	5 3/4	3 13/16	3 3/4	1 3/32
69	5 3/4	4 1/16	4	1 1/16



GUA

Hub Size	Cover Opening Dia.	Cat. #
1/2	2	GUA14
3/4	2	GUA24
1/2	3	GUA16
3/4	3	GUA26*
1	3	GUA36
1 1/4	3 3/8	GUA47
1 1/2	5	GUA59



GUAC

Hub Size	Cover Opening Dia.	Cat. #
1/2	2	GUAC14†
3/4	2	GUAC24†
1/2	3	GUAC16*
3/4	3	GUAC26*
1	3	GUAC36*
1 1/4	3 3/8	GUAC47†
1 1/4	5	GUAC49
1 1/2	5	GUAC59†
2	5	GUAC69†



GUAB

Hub Size	Cover Opening Dia.	Cat. #
1/2	2	GUAB14†
3/4	2	GUAB24
1/2	3	GUAB16*
3/4	3	GUAB26*
1	3	GUAB36*
1 1/4	3 3/8	GUAB47†
1 1/2	5	GUAB59†
2	5	GUAB69†



GUAD

Hub Size	Cover Opening Dia.	Cat. #
1/2	2	GUAD14†
3/4	2	GUAD24
1/2	3	GUAD16
3/4	3	GUAD26†
1	3	GUAD36†
1 1/4	5	GUAD49

† Available in copper-free aluminum, add suffix -SA.

* Available in copper-free aluminum, add suffix -SA. GUA outlet boxes marked with * when ordered with suffix -SA are listed for Class I, Division 1 & 2, Groups B, C and D, Class II, Division 1, Groups E, F, G and Class III. Covers have 16 pitch threads. Replacement cover is a GUA06-GB.

Condulet® Conduit Outlet Boxes

With Covers for Threaded Rigid and IMC

Cl. I, Div. 1 & 2, Groups C,D
 Cl. II, Div. 1, Groups E,F,G
 Cl. II, Div. 2, Groups F,G
 Cl. III
 NEMA 3,4,7CD,9EFG

Explosionproof
 Dust-Ignitionproof
 Raintight
 Wet Locations

4F

4F
 Conduit Outlet
 Boxes & Bodies



GUAL

Hub Size	Cover Opening Dia.	Cat. #
1/2	2	GUAL14†
3/4	2	GUAL24†
1/2	3	GUAL16*
3/4	3	GUAL26*
1	3	GUAL36*
1 1/4	3 5/8	GUAL47†
1 1/4	5	GUAL49†
1 1/2	5	GUAL59†
2	5	GUAL69†

GUAN

Hub Size	Cover Opening Dia.	Cat. #
1/2	2	GUAN14
3/4	2	GUAN24
1/2	3	GUAN16
3/4	3	GUAN26
1	3	GUAN36†
1 1/4	3 5/8	GUAN47
1 1/2	5	GUAN59†
2	5	GUAN69

GUAT

Hub Size	Cover Opening Dia.	Cat. #
1/2	2	GUAT14†
3/4	2	GUAT24†
1/2	3	GUAT16*
3/4	3	GUAT26*
1	3	GUAT36*
1	3 5/8	GUAT37
1 1/4	3 5/8	GUAT47†
1 1/4	5	GUAT49†
1 1/2	5	GUAT59†
2	5	GUAT69†

GUAX

Hub Size	Cover Opening Dia.	Cat. #
1/2	2	GUAX14†
3/4	2	GUAX24†
1/2	3	GUAX16*
3/4	3	GUAX26*
1	3	GUAX36*
1	3 5/8	GUAX37†
1 1/4	3 5/8	GUAX47†
1 1/4	5	GUAX49
1 1/2	5	GUAX59†
2	5	GUAX69†



GUAM

Hub Size	Cover Opening Dia.	Cat. #
1/2	2	GUAM14†
3/4	2	GUAM24
1/2	3	GUAM16
3/4	3	GUAM26
1	3	GUAM36
1 1/4	3 5/8	GUAM47
2	5	GUAM69

GUAW

Hub Size	Cover Opening Dia.	Cat. #
1/2	2	GUAW14†
3/4	2	GUAW24†
1/2	3	GUAW16
3/4	3	GUAL26†

Dimensions

GUAC, GUAT

Cat. #	a	b	c	d
14	2 1/2	2 1/4	2 3/16	5/8
24	2 1/2	2	2	3/4
16	3 1/2	2	1 7/8	5/8
26	3 1/2	2	1 7/8	3/4
36	3 1/2	2 5/16	2 3/16	7/8
37	4 1/4	2 9/16	2 3/8	7/8
47	4 1/4	2 1 1/16	2 3/4	1 3/32
49	5 3/4	3 1 3/16	3 3/4	1 9/32
59	5 3/4	3 1 3/16	3 3/4	1 9/32
69	5 3/4	4 1/16	4	1 9/16

GUAN

Cat. #	a	b	c	d
14	2 1/2	2 1/8	2 1/16	5/8
24	2 1/2	2 5/16	2 1/4	3/4
16	3 1/2	2	1 7/8	3/4
26	3 1/2	2	1 7/8	3/4
36	3 1/2	2 5/16	2 3/8	7/8
47	4 1/4	2 1 1/16	2 3/4	1 3/32
59	5 3/4	4 1/16	4	1 9/32
69	5 3/4	4 1/16	4	1 9/16

GUAB, GUAL

Cat. #	a	b	c	d
14	2 1/2	2 1/4	2 3/16	5/8
24	2 1/2	2 1/2	2 7/16	3/4
16	3 1/2	2	1 7/8	5/8
26	3 1/2	2	1 7/8	3/4
36	3 1/2	2 5/16	2 3/16	7/8
47	4 1/4	2 1 1/16	2 3/4	1 3/32
49	5 3/4	3 1 3/16	3 3/4	1 5/32
59	5 3/4	3 1 3/16	3 3/4	1 9/32
69	5 3/4	4 1/16	4	1 9/16

* Available in copper-free aluminum, add suffix -SA. GUA outlet boxes marked with * when ordered with suffix-SA are listed for Class I, Division 1&2, Groups B, C and D, Class II, Division 1, Groups E, F, G and Class III. Covers have 16 pitch threads. Replacement cover is a GUA06-GB.

† Available in copper-free aluminum, add suffix -SA.

4F Covers and Accessories

For GUA Condulet® Conduit Outlet Boxes

Application:

Threaded covers, canopies and extensions are used:

- to provide a seal in hazardous areas (sealing cover). See note at right
- to mount pendant lighting fixtures such as EVA listed in lighting section (fixture canopy)
- to mount EVA pendant lighting fixtures on cover which is then screwed into outlet box without twisting conductors (union hub cover)
- to mount pendant lighting fixtures on cover which is then screwed into outlet box as above, for wiring after fixture stem is installed (nipple cover)
- to provide means of increasing outlet box depth (threaded extension)

Features:

- Surface covers are supplied with GUA boxes
- Sealing cover has removable plug for filling enclosure with sealing compound after installation. Sealing cover meets 40% fill requirement of the NEC®. See note at right.
- Fixture canopy has a threaded cover in its side to provide access for making splices or taps. Fixture with its conduit stem and canopy can be assembled and wired before installation and conductors can be spliced in canopy after it has been screwed into the body
- Cover threads are 12 pitch.

Standard Materials:

- Surface and dome covers, union hub covers, nipple covers – copper-free aluminum
- Sealing covers, fixture canopies, threaded extensions – *Feraloy*® iron alloy

Standard Finishes:

- Aluminum – natural
- *Feraloy* iron alloy – electrogalvanized and aluminum acrylic paint

Options:

- *Corro-free*™ epoxy powder coat – add suffix S752
- To order an iron surface cover, add suffix – WOD ie. GUA06 – WOD.

Size Ranges:

- Fixture stems – 3/4"
 - Body openings – 2" to 5"
- NOTE: Depth of sealing compound in body must satisfy requirements of NEC section 501-5 (C-3). Splices and taps in sealing fittings are prohibited by NEC.

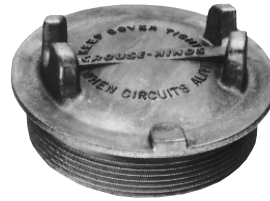


GUA Threaded Extension

Cover Opening Dia.	Ext. Depth	Cat. #
3	1 1/4	GUA0631

GUA

Cover Opening	Replacement O-Ring Gasket Cat. #
2"	GASK1713
3"	GASK1151
3 5/8"	GASK1589
5"	GASK925



Surface Cover

Cover Opening Dia.	Thread Pitch	Cat. #
2	12	GUA04
3	12	GUA06
3	16	GUA06-GB*
3 5/8	12	GUA07
5	12	GUA09



Dome Cover

Cover Opening Dia.	Ext. Depth	Thread Pitch	Cat. #
2	2	12	GUA047
3	2	12	GUA067
3 5/8	2	12	GUA077
3 5/8	4	12	GUA0716
5	4	12	GUA514
5	10	12	GUA5110



Sealing Cover

Cover Opening Dia.	Thread Pitch	Cat. #
2	12	GUA041
3	12	GUA062
3	16	GUA062-GB*
3 5/8	12	GUA072†
5	12	GUA092



Nipple Cover

Cover Opening Dia.	Fixt. Size	Thread Pitch	Cat. #
3	3/4	12	GUA0672



Fixture Cover Union Hub Type

Cover Opening Dia.	Fixt. Stem Size	Thread Pitch	Cat. #
3	3/4	12	GUA0687



Fixture Canopy

Cover Opening Dia.	Fixt. Stem Size	Thread Pitch	Cat. #
3	3/4	12	GUA068

† Also used with GUP bodies on page 138 or GU and GUE bodies on page 122.

* GUA covers with 16 pitch threads are used with GUA bodies ordered with -SA suffix identified with * symbol on pages 50 and 51.