

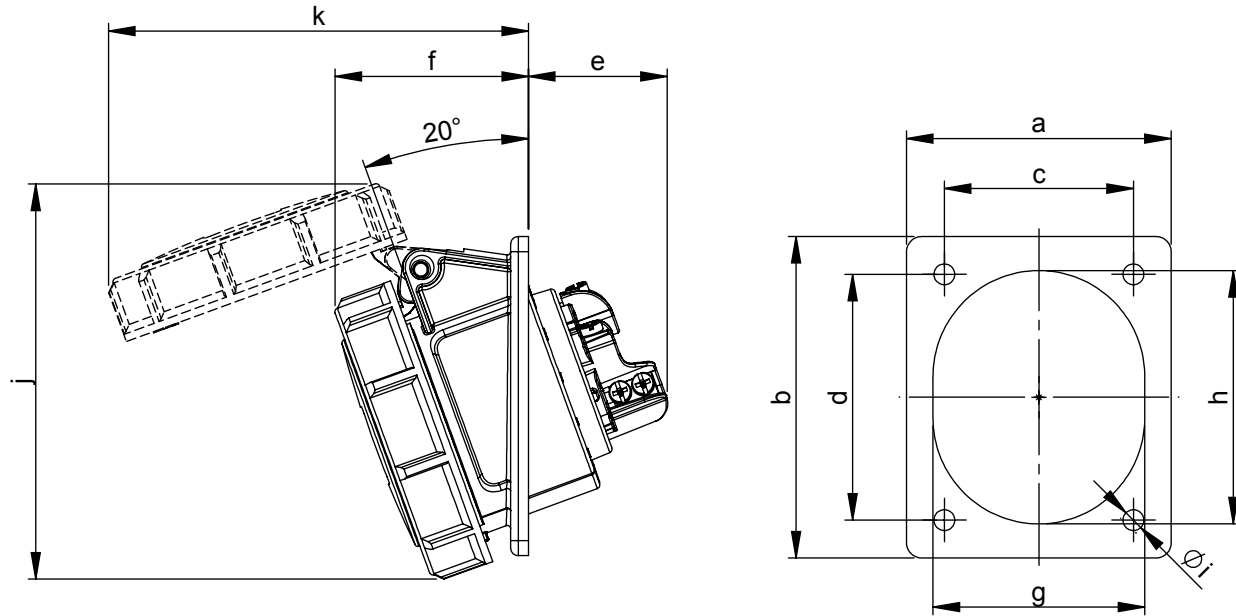
Maßskizze / dimensional drawing

Benennung: Anbausteckdose schräg IP67 70x85

description: Flanged socket sloping IP67 70x85

Teilenummer / part number: 4132-*f78, 4142-*f78

PCE



Ampere	16		
Pole	3	4	5
a [mm]	70	70	-
b [mm]	85	85	-
c [mm]	50	50	-
d [mm]	65	65	-
e [mm]	38	38	-
f [mm]	50	52	-
g [mm]	51	56	-
h [mm]	61	67	-
i [mm]	5,5	5,5	-
j [mm]	97	104	-
k [mm]	102	111	-