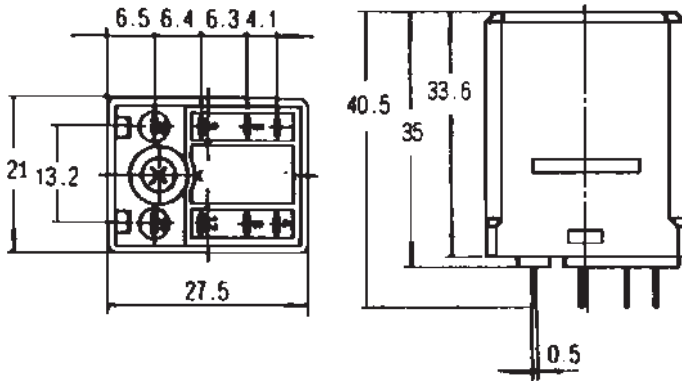




2PDT-5A Rated, 4PDT-3A Rated Miniature Relays

DIMENSIONS (MILLIMETERS)



SPECIFICATIONS

MAX COIL OPERATING VOLTAGE	110%	
MAX PICK-UP VOLTAGE	80%	
MIN COIL DROP-OUT VOLTAGE	AC	30%
	DC	15%
CONTACT RATING (RESISTIVE)	5A: 2P, 3A: 4P	
CONTACT RATING (INDUCTIVE)	2A	
CONTACT CARRY CURRENT	5A: 2P, 3A: 4P	
MAX SWITCHING CAPACITY (RESISTIVE)	AC	1100VA-2P, 660VA-2P
	DC	120W-2P, 72W-4P
MAX SWITCHING CAPACITY (INDUCTIVE)	AC	440VA-2P, 176VA-4P
	DC	48W - 2P, 24W - 4P
MAX SWITCHING CURRENT	5A - 2P, 3A - 4P	
CONTACT RESISTANCE	.03 Ω-2P, .05 Ω-4P	
OPERATE TIME	20mS	
RELEASE TIME	20mS	
POWER CONSUMPTION	AC	50 Hz, 1.4VA; 60 Hz, 1.2 VA
	DC	0.9 W
INSULATION RESISTANCE	100 M Ω	
DIELECTRIC STRENGTH	1000 VAC 50/60 Hz.	
OPERATING FREQUENCY	1800 Per Hour	
TEMPERATURE RISE	Coil	85°C
	Contact	65°C
VIBRATION RESISTANCE	6G	
SHOCK RESISTANCE	20G	
MECHANICAL LIFE	5,000,000 Minimum	
ELECTRICAL LIFE	500,000 Minimum	
WEIGHT	1 oz.	

COIL RATINGS

RATED VOLTAGE (V)	RATED CURRENT (mA) ±15% AT 20°C		COIL RESISTANCE (Ω) ±10% AT 20°C	
	50 Hz	60 Hz		
AC	24	59.7	50	156.7
	110	14.2	12	3,390
	220	7.1	6	13,920
DC	12	75	160	-
	24	36.9	650	-

ORDERING INFORMATION

MODEL NUMBER	UL RECOGNIZED	CIRCUIT	COIL VOLTAGE	TERMINATION	LED	SOCKET
KH-103-2C-110	Yes	2PDT	110 VAC	Plug-in/Solder	No	600-3-0017
KH-103-2CL-110	No	2PDT	110 VAC	Plug-in/Solder	Yes	600-3-0017
KH-103-2CP-110	No	2PDT	110 VAC	PIN (For PCB)	No	NA
KH-103-2CPL-110	No	2PDT	110 VAC	PIN (For PCB)	Yes	NA
KH-103-2C-12DC	Yes	2PDT	12 VDC	Plug-in/Solder	No	600-3-0017
KH-103-2CL-12DC	No	2PDT	12 VDC	Plug-in/Solder	Yes	600-3-0017
KH-103-2CP-12DC	No	2PDT	12 VDC	PIN (For PCB)	No	NA
KH-103-2CPL12DC	No	2PDT	12 VDC	PIN (For PCB)	Yes	NA
KH-103-4C-110	Yes	4PDT	110 VAC	Plug-in/Solder	No	600-3-0018
KH-103-4CL-110	No	4PDT	110 VAC	Plug-in/Solder	Yes	600-3-0018
KH-103-4CP-110	No	4PDT	110 VAC	PIN (For PCB)	No	NA
KH-103-4CPL-110	No	4PDT	110 VAC	PIN (For PCB)	No	NA
KH-103-4C-12DC	Yes	4PDT	12 VDC	Plug-in/Solder	No	600-3-0018
KH-103-4CL-12DC	No	4PDT	12 VDC	Plug-in/Solder	Yes	600-3-0018
KH-103-4CP-12DC	No	4PDT	12 VDC	PIN (For PCB)	No	NA
KH-103-4CPL12DC	No	4PDT	12 VDC	PIN (For PCB)	Yes	NA

All Models Also Available in 24 VDC and 24 VAC.