

# FLOATLESS SWITCH

Koino

## FLOATLESS SWITCH

KFS-PC8(8PIN)    KFS-PC11(11PIN)



### FEATURES

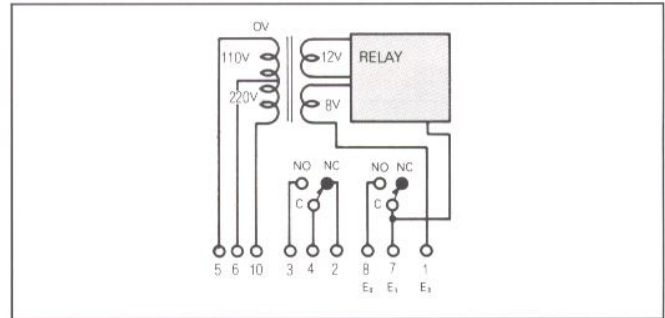
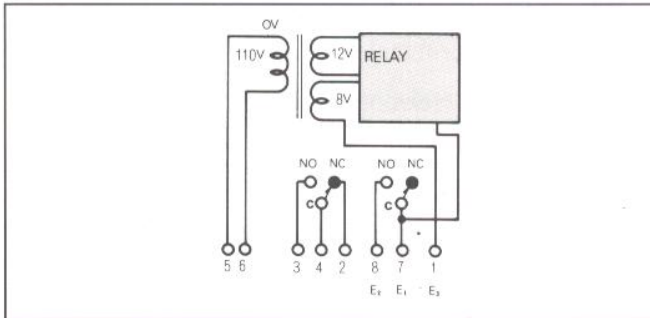
- Automatic control of water level
- Small size and easy mounting
- Secondary voltage between electrodes : AC 8V

### SPECIFICATIONS

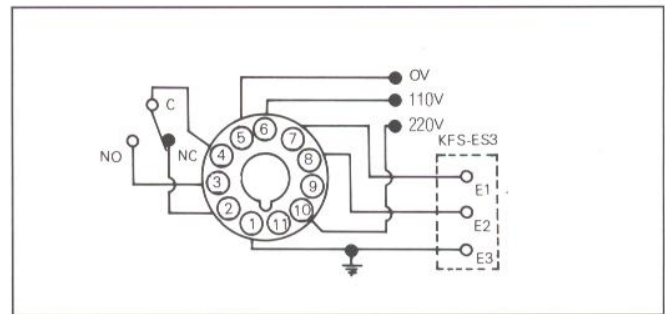
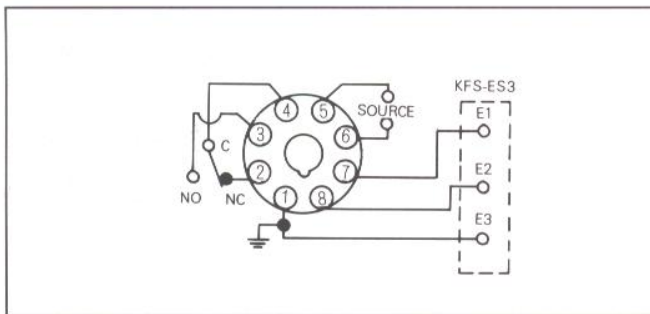
Model No.	KFS-PC8	KFS-PC11
Rated Voltage	100 ~ 110VAC 200 ~ 220VAC (50/60 Hz)	100 ~ 110VAC 200 ~ 220VAC (50/60 Hz)
Operating Indicator	Red LED	
Wire Connection(Socket)	KH-TDR-R8	KH-TDR-R11
Power Consumption	Max. 3.2VA	
Operating Voltage	Max. $\pm 10\%$ of Rated Voltage	
2nd Voltage between electrodes	AC 8V (2nd voltage)	
Operate Resistance	Max. 4 K $\Omega$	
Release Resistance	Min. 15 K $\Omega$	
Relay Operating Time	Operate : Max. 80mSec actibating Release : Max. 160mSec deactibating	
Output Contact Rating	220VAC, 2.5A at resistive load	
Life	Mechanical : Min. 5,000,000 operations    Electrical : Min. 200,000 operations	
Insulation Resistance	Min. 100 M $\Omega$ at 500VDC	
Dielectric Strength	1,000VAC (50/60 Hz) for 1 minute	
Ambient Temperature	-10 $^{\circ}$ C ~ +50 $^{\circ}$ C (at not freezing)	
Storage Temperature	-20 $^{\circ}$ C ~ +55 $^{\circ}$ C (at not freezing)	
Vibration Resistance	10~55Hz at double amplitude of 1.0 mm (X,Y,Z directions)	
Shock Resistance	Approx. 30G(300 m/s <sup>2</sup> )	
Ambient Humidity	35 ~ 85% RH	
Protection	IP 50 (Indoor use only)	
Material	ABS	
Weight	Approx. 230g	

## FLOATLESS SWITCH

### INTERNAL CIRCUIT CONNECTION



### CONNECTIONS

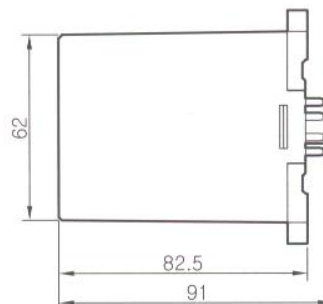
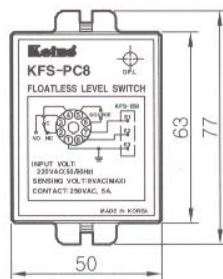


### PRECAUTION FOR OPERATIONS

1. Apply the rated voltage
2. The surface of electrode should be cleaned up at least every 6 months
3. Electrode fixing coupler must be used in order to maintain the distance among the electrodes.
4. Do not use this product on the purpose of oil level control.

### DIMENSIONS

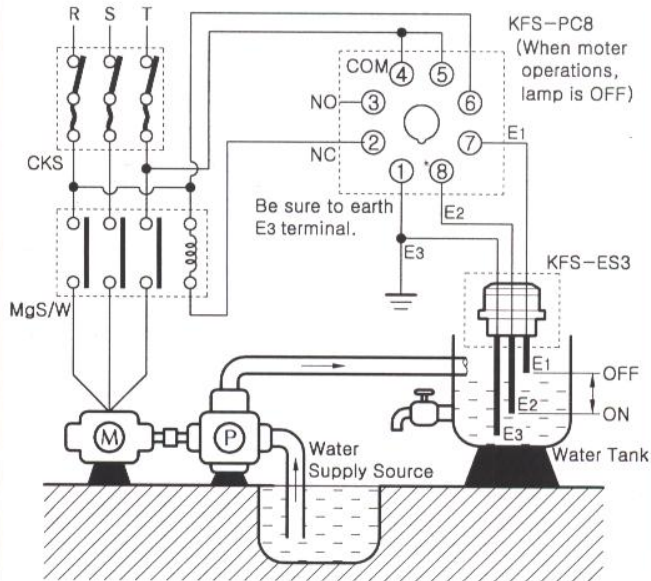
KFS-PC8(8Pin)  
KFS-PC11(11Pin)



## FLOATLESS SWITCH

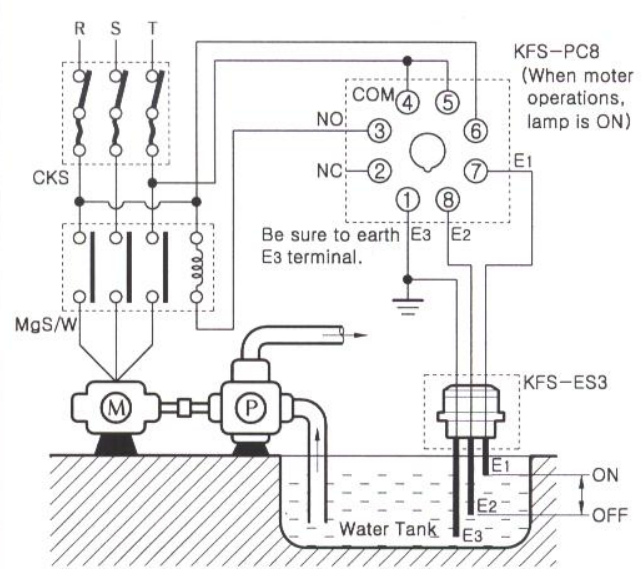
### KFS-PC8(8PIN) OPERATION MODE

#### Water Supply Connection



- When water reaches E1, motor stops automatically and when water drains below E2, motor operates automatically.
- When motor operations, Lamp is OFF

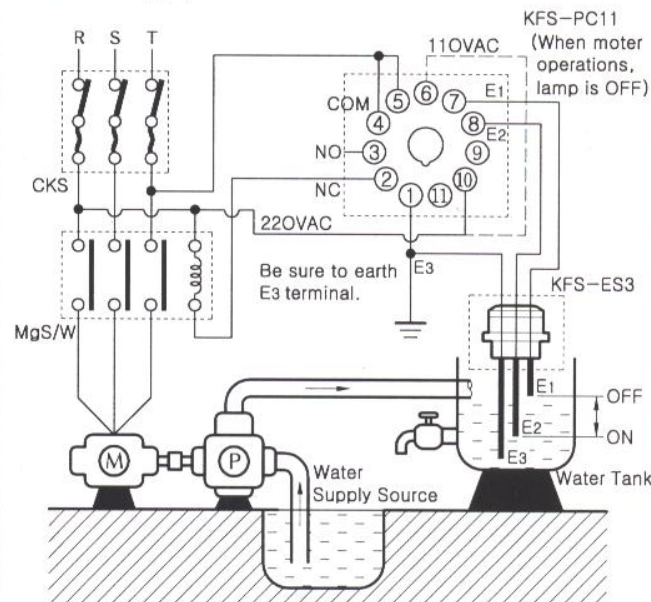
#### Water Drainage Connection



- When water reaches E1, motor operates automatically and when water drains below E2, motor stops automatically.
- When motor operations, Lamp is ON

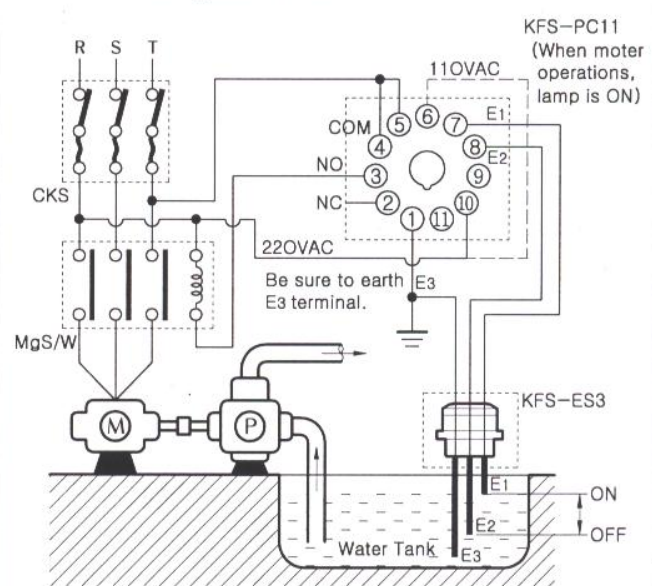
### KFS-PC11(11PIN) OPERATION MODE

#### Water Supply Connection



- When water reaches E1, motor stops automatically and when water drains below E2, motor operates automatically.
- When motor operations, Lamp is OFF

#### Water Drainage Connection



- When water reaches E1, motor operates automatically and when water drains below E2, motor stops automatically.
- When motor operations, Lamp is ON