
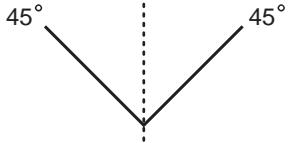
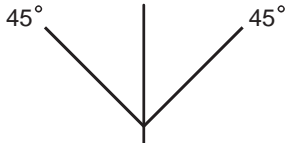

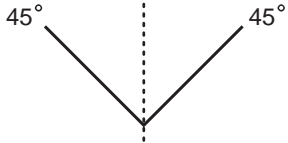
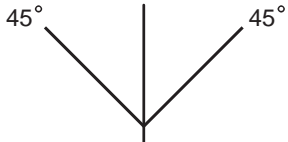
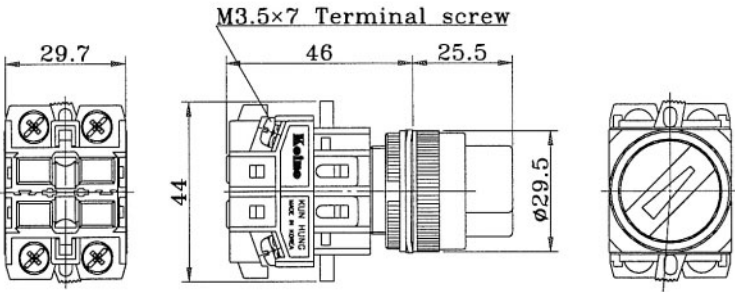
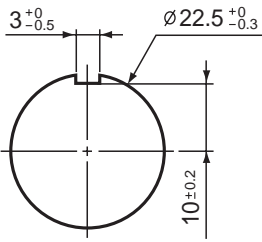


ORDERING NO. : **KH - 2202 - 2L - 1 1**

└─ NO. of NC contact
└─ NO. of NO contact

	PROTECTION	ACTUATOR	ACTUATING ANGLE
Latching Selector With Short Lever 	IP 50	KH-2202-2S	
	IP 50	KH-2202-3S	
Latching Selector With Long Lever 	IP 50	KH-2202-2L	
	IP 50	KH-2202-3L	

DIMENSION		
<p>KH-2202-2S KH-2202-3S</p> 	<p>Panel Cut-out</p>  <ul style="list-style-type: none"> ■ Contact block combinations Max. 4 contact block combination ■ Material <ul style="list-style-type: none"> • Body : Nylon glass • Contact block : Nylon glass • Ring : Nylon glass • Knob : Acetal 	
<p>KH-2202-2L KH-2202-3L</p> 